

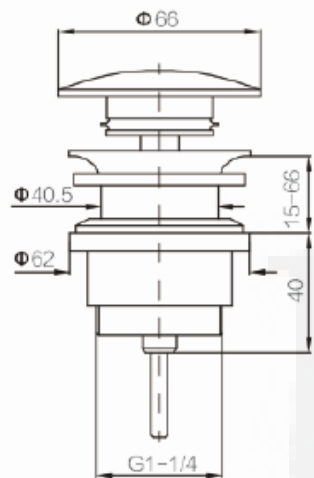
PRE-INSTALLATION CONFIRMATION



Up&Down waste

■ Product dimension

■ Installation tools(Not supplied)



PRODUCT SURFACE CLEANING

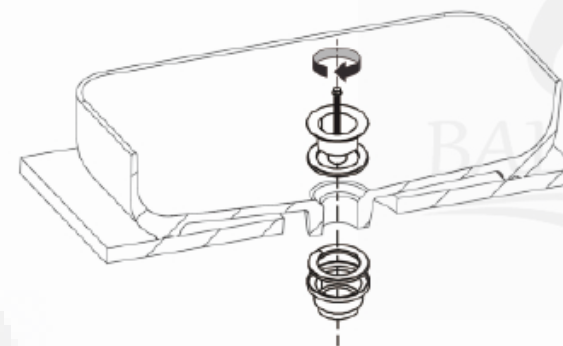
Use a smooth sponge or soft cloth dipped in appropriate amount of water or neutral detergent to wipe the product surface.

! Warm tips

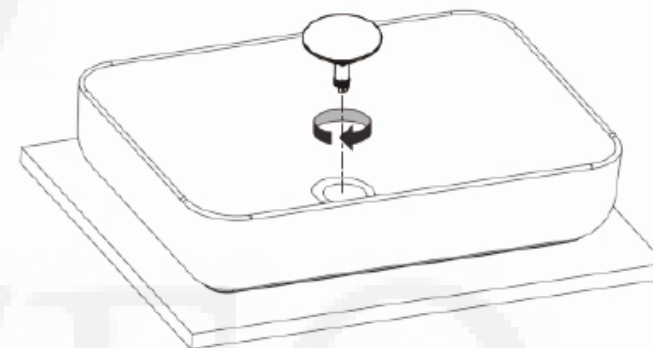
- Do not use any acidic or alkaline cleaners.

INSTALLATION

1



2



3

