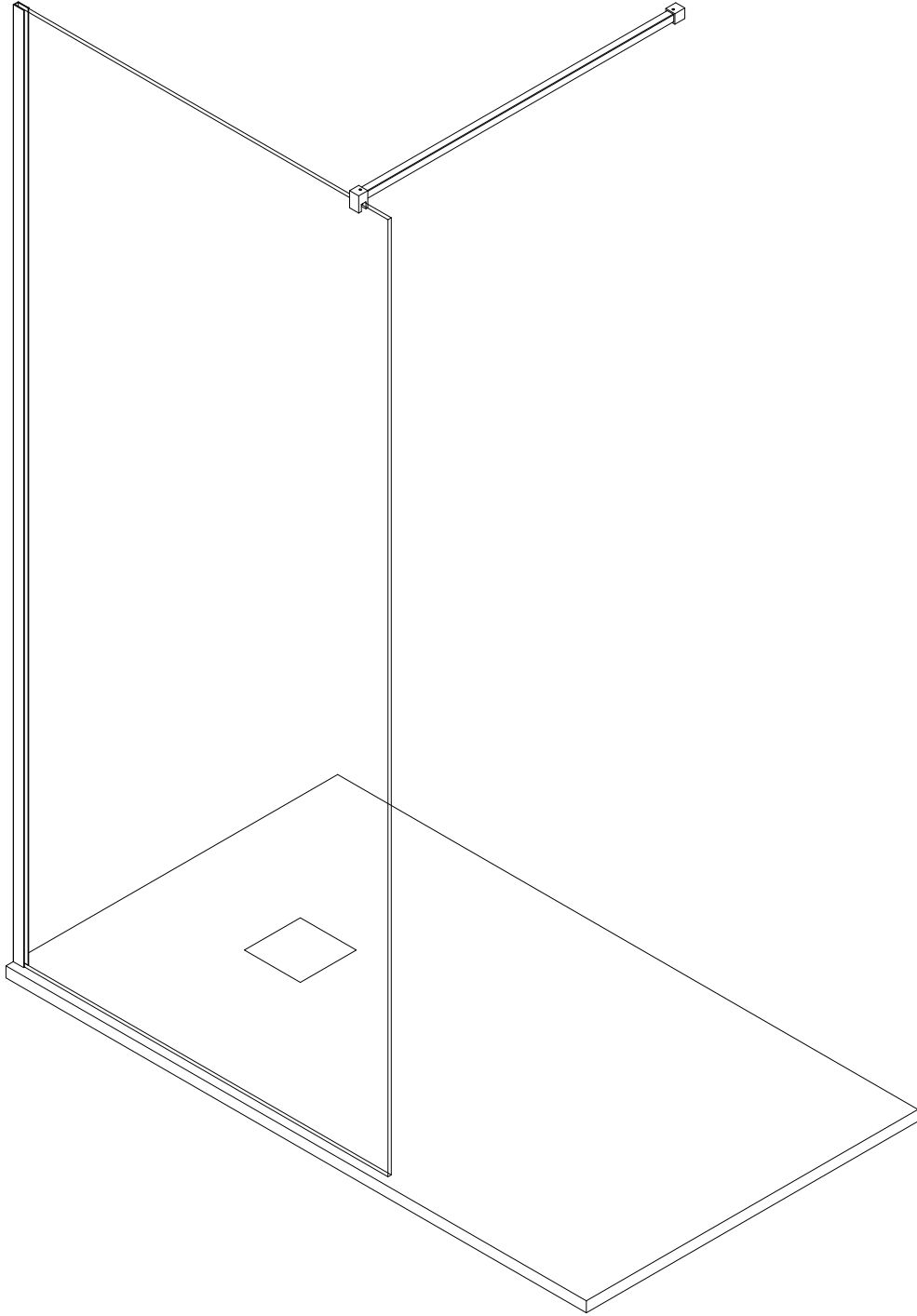
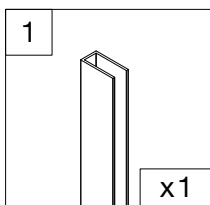
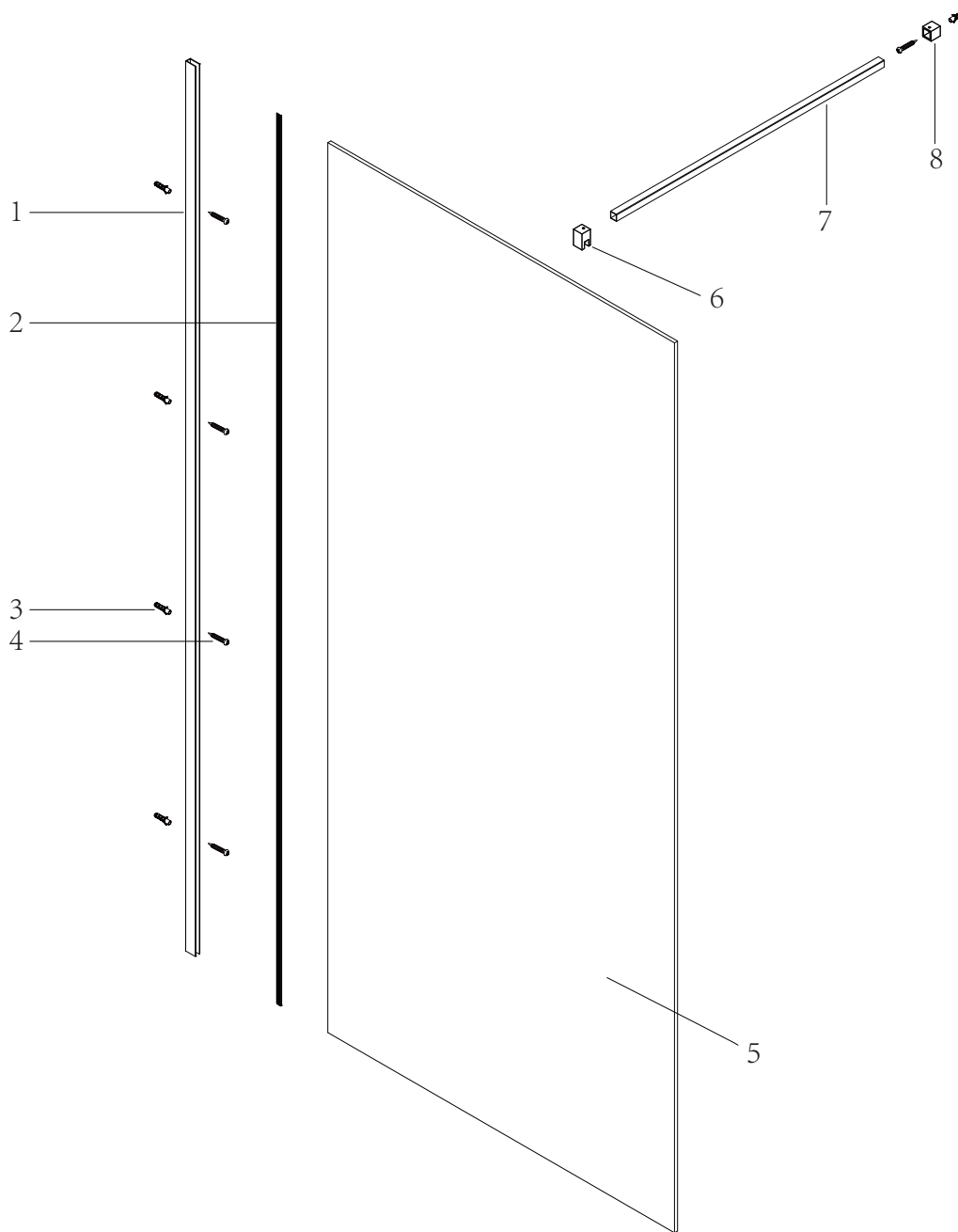
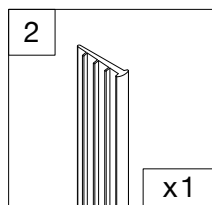


C30 INSTRUCTION

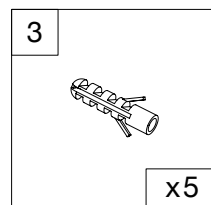




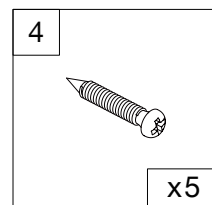
1
Wall connecting profile



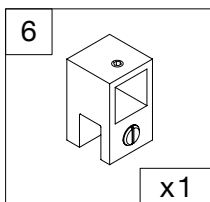
2
Strip for Wall Profile & Fixed Door



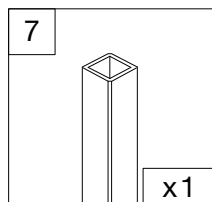
3
Plastic plugs



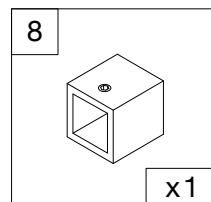
4
Screws



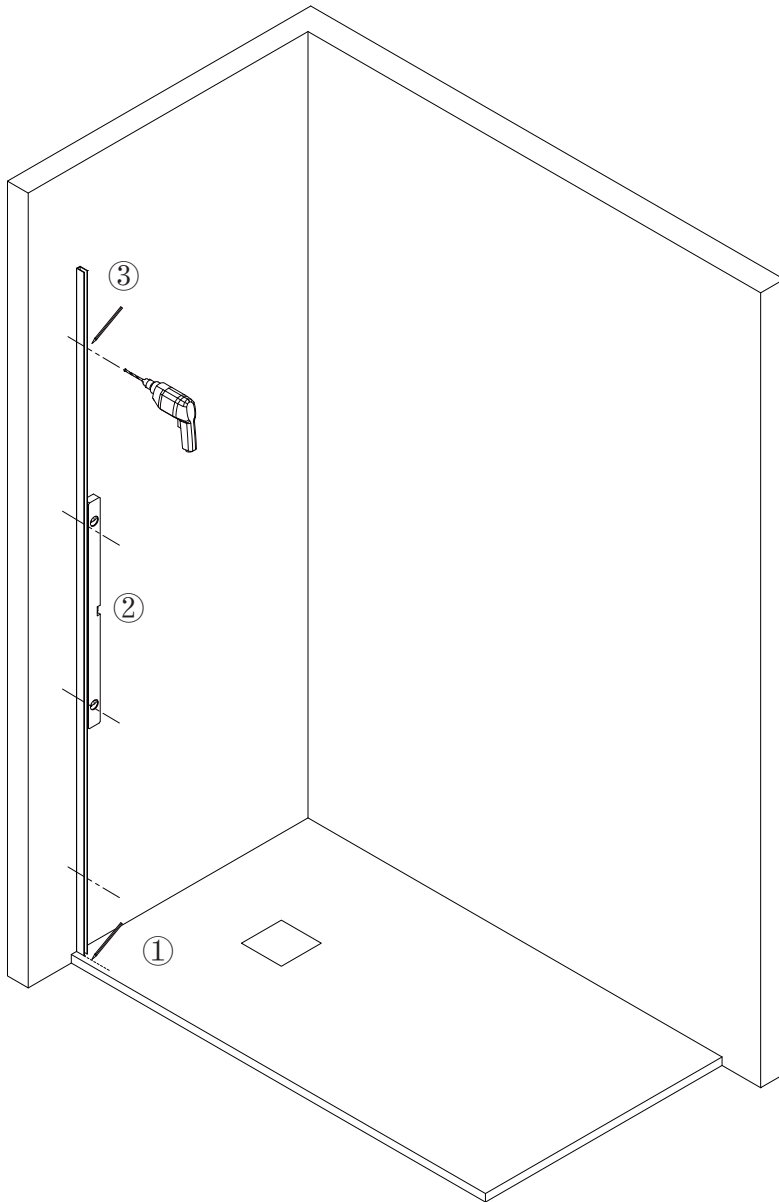
6
Glass clamp



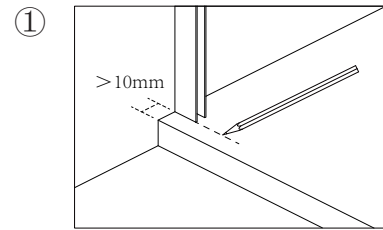
7
Wall Bracing Bar



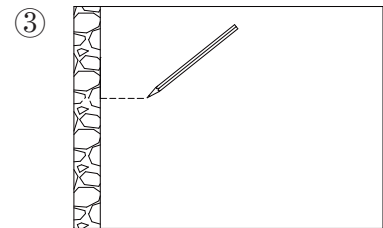
8
Wall clamp



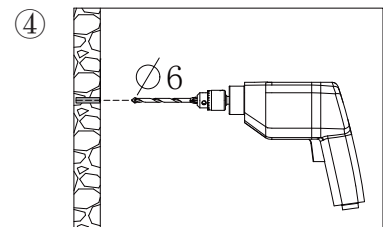
② Put the wall connecting profile (1) on the wall or on the shower tray, adjusting the profile to make sure it is vertical with level.



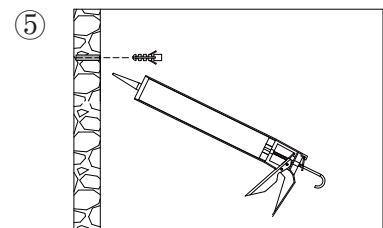
Reserve a distance of 10mm from the edge of the shower tray and draw a line mark. profile (1) should be installed 10mm from the edge of the shower tray.



Mark the holes on the wall.

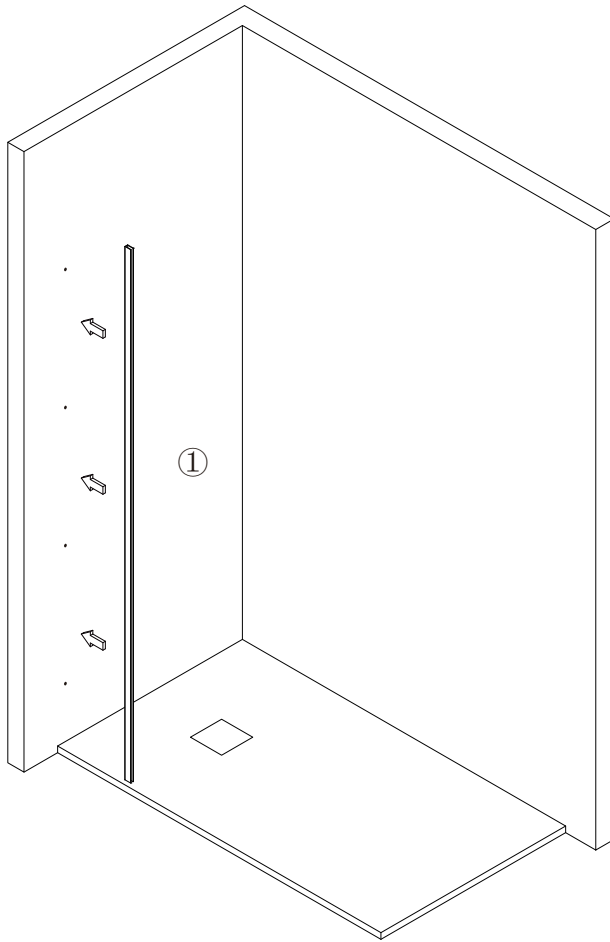


Drilling the holes (4-- $\varnothing 6$ mm) according the marks.

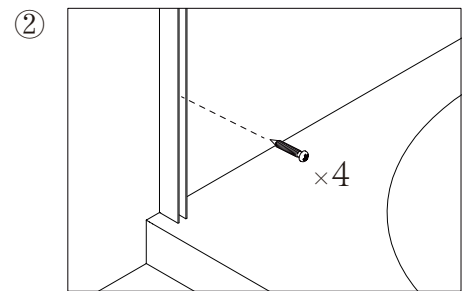


Insert the plastic plugs (3) into the holes. Injected the glass cement into the holes.

2

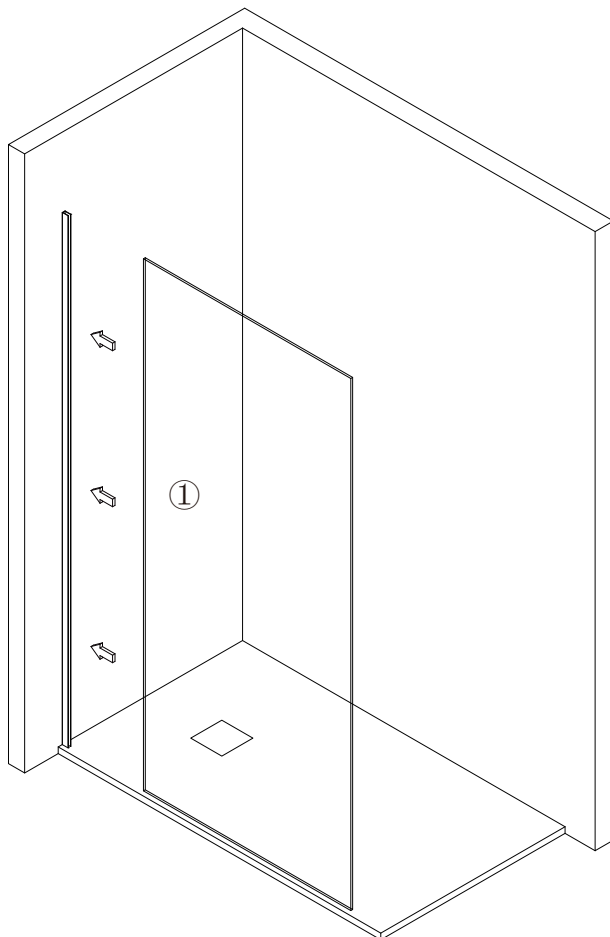


① Connect the profile (1) to the wall.

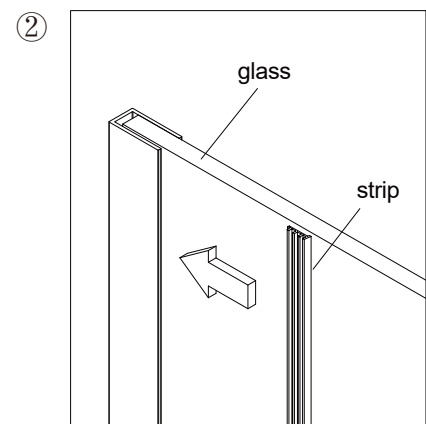


Connect the profile (1) to the wall with screws (4).

3

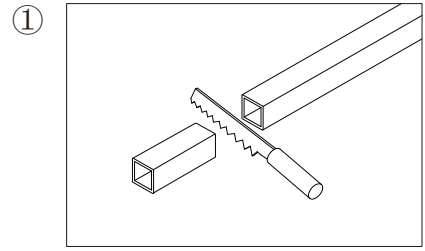
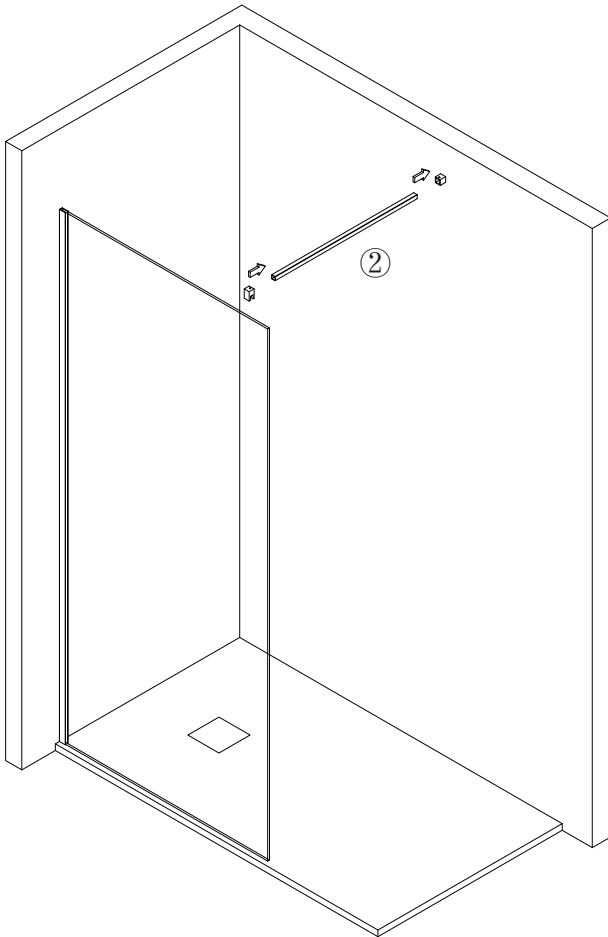


① Connect the fixed door (5) with the profile (1).

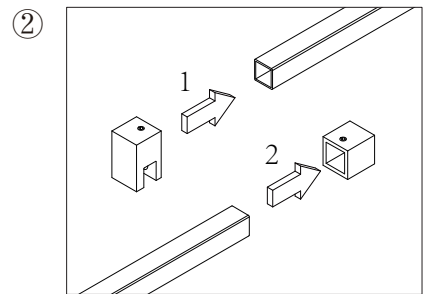


Install the strip (2) for profile (1) on the wall.

4

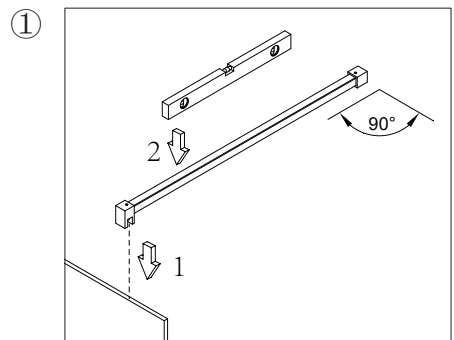
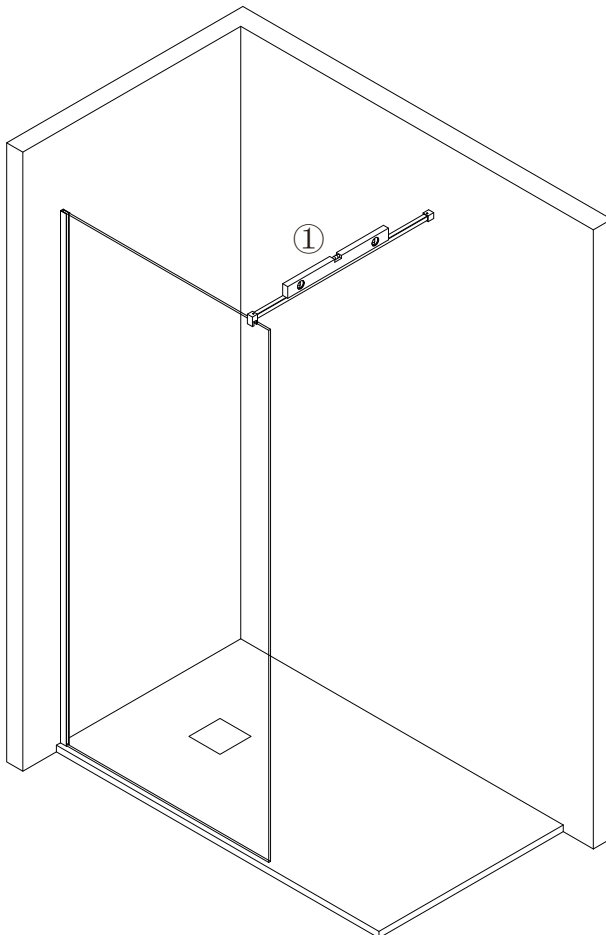


Cut the wall bracing bar (7) to required length.

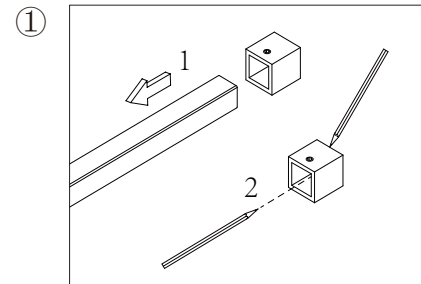
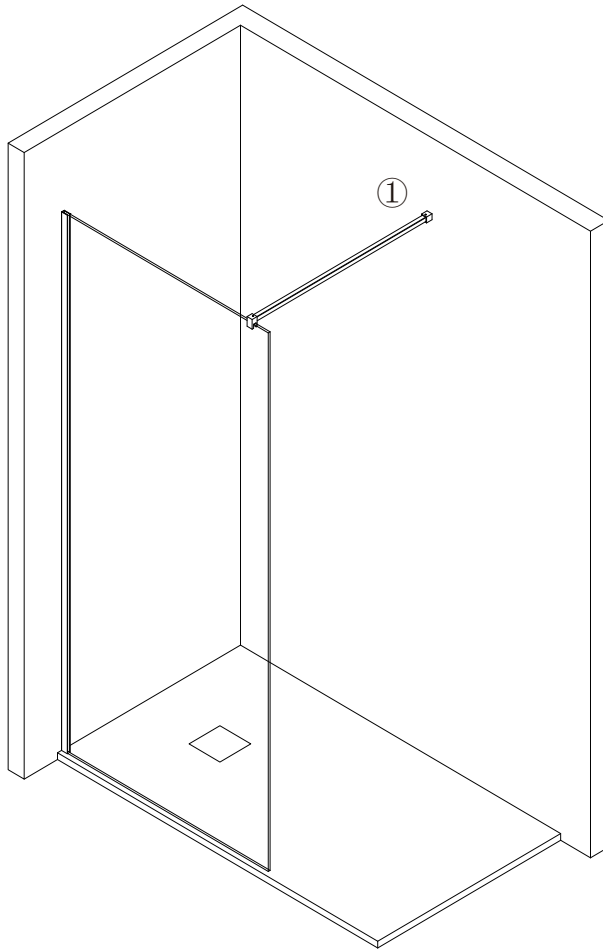


Connect the glass clamp (6) and wall clamp (8) with the wall bracing bar (7) for testing first.

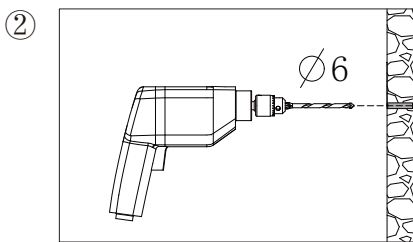
5



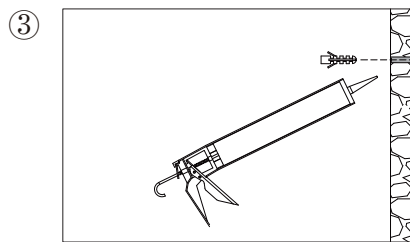
Adjusting the wall bracing bar (7) to make sure it is vertical with a level.



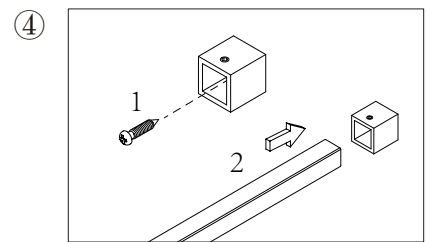
According to the wall clamp (8), mark the hole on the wall.



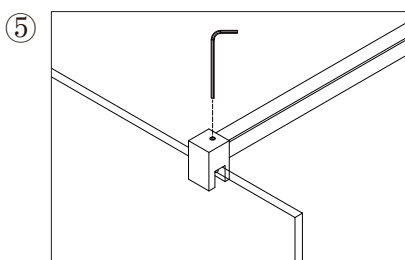
Drilling the hole (1-- $\varnothing 6$ mm) according the mark.



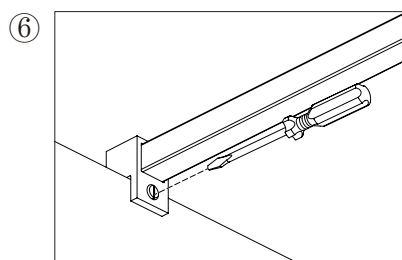
Insert the plastic plug (3) into the hole. Injected the glass cement into the holes.



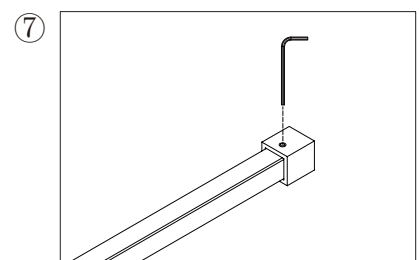
Connect the wall clamp (8) to the wall with screw (4).



Use the hex key to connect the glass clamp (6) and wall bracing bar (7).

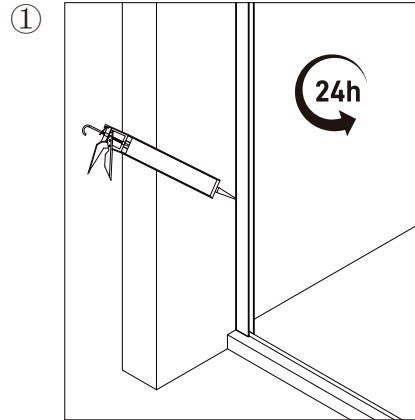
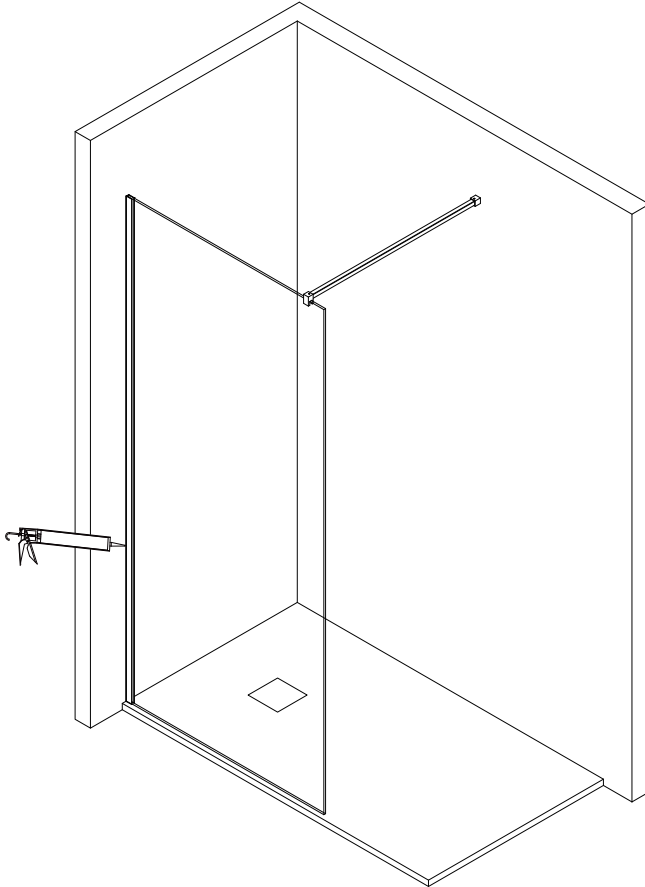


Fix the glass clamp (6) with the glass (5).



Use the hex key to connect the wall clamp (8) and wall bracing bar (7).

7



Lay the glass cement between wall / shower tray and profile (1).
Let it dry for 24 hours.

8

