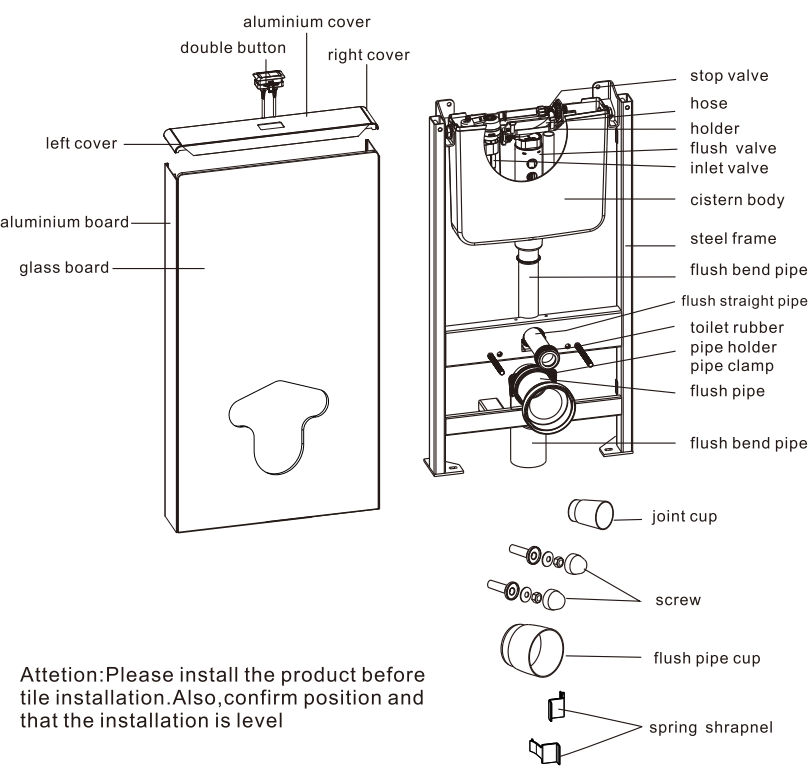


1. Fitting chart



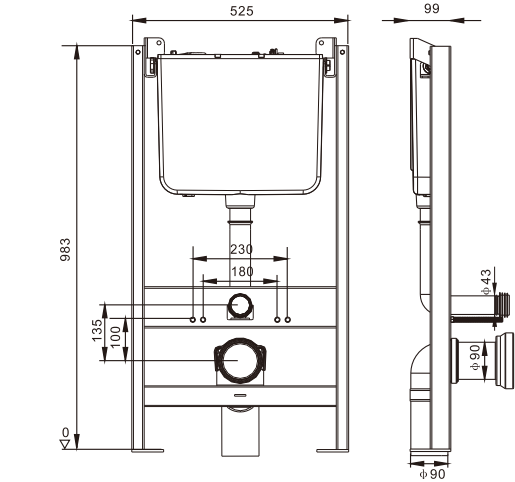
Attention: Please install the product before tile installation. Also, confirm position and that the installation is level!

Technical Parameter:

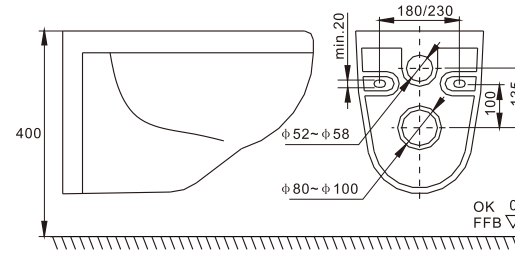
- (1) Water inlet: 1/2"
- (2) Water inlet pressure range: 0.2 Bar to 9 Bar
- (3) Water temperature range: 2°C to 45°C
- (4) 3/6Ltr Dual Flush (MAX: 7 Ltr), Flush time: 3 sec-5 sec
- (5) Rust-proof steel frame. Load capacity is up to 400KG
- (6) Suitable for dry-wall thicknesses of 105mm-200 detach

Note: please check all fitting as the chart above. If there is anything missing, please contact your supplier.

2. Technologic data

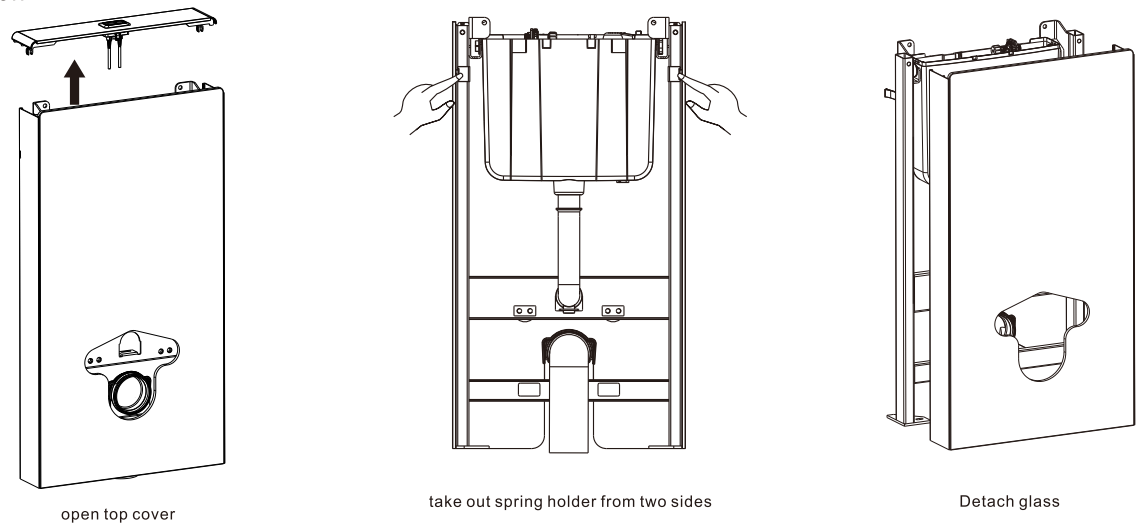


3. Technology size for wall hung toilet



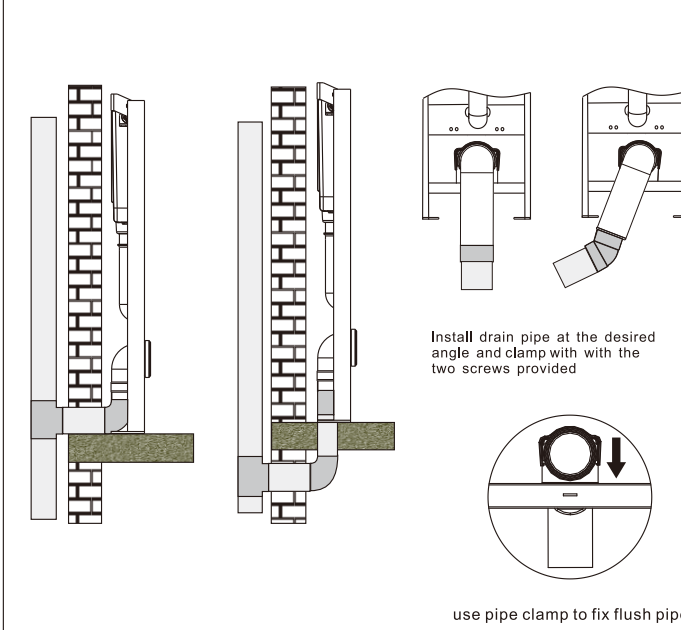
- The measure requirement of wall hung toilet:
- (1) The distance of the two hanging holes' centre is 180mm or 230mm.
 - (2) The distance between fill hole's centre and flush hole's centre is 135mm.
 - (3) The distance between flush hole's centre and hanging hole's centre is 100mm.
 - (4) The diameter of fill hole is $\phi 52\text{mm} \sim \phi 58\text{mm}$.
 - (5) The outer diameter of flush hole is $\phi 80\text{mm} \sim \phi 100\text{mm}$.
 - (6) The diameter of hanging hole can't be less than $\phi 20\text{mm}$.
 - (7) The height from the top surface of wall hung toilet to the floor is 400mm (10mm more or less).

4. preparation



Concealed Cistern tank body must be tested with water before installation to exclude products damaged by force majeure during transportation. Finally determine the installation height of the frame after consider the wall-hung toilet height.
 Podtynkowy zbiornik na wodę musi zostać przetestowany wodą przed ostateczną instalacją, aby wykluczyć uszkodzenia spowodowane podczas transportu lub ukryte wady produktu. Należy określić wysokość montażu ramy po uwzględnieniu wysokości toalety wiszącej.

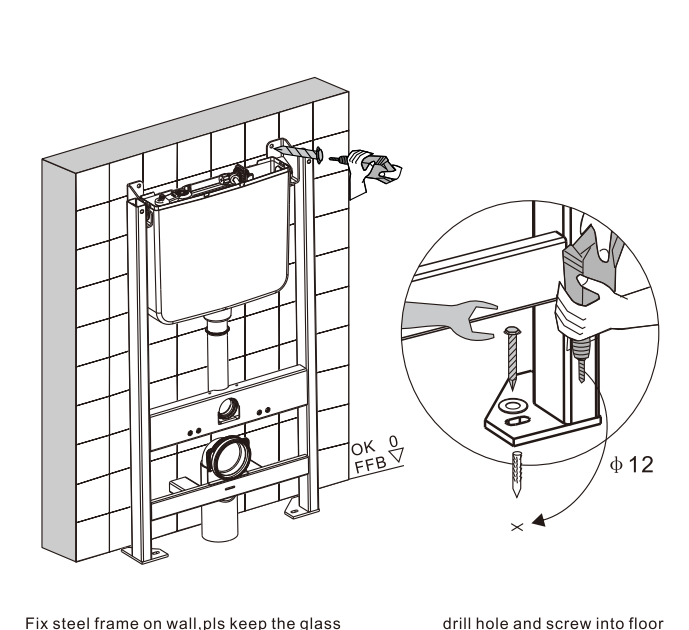
5. Install drainage pipe



Install drain pipe at the desired angle and clamp with with the two screws provided

use pipe clamp to fix flush pipe

6. Fix steel frame

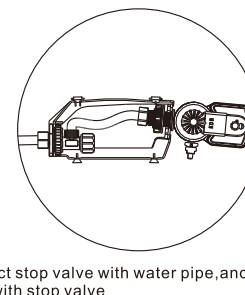


Fix steel frame on wall, pls keep the glass parallel to floor

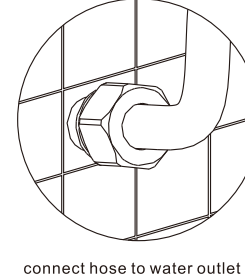
drill hole and screw into floor

Technical Parameter:

7. Install inlet pipe

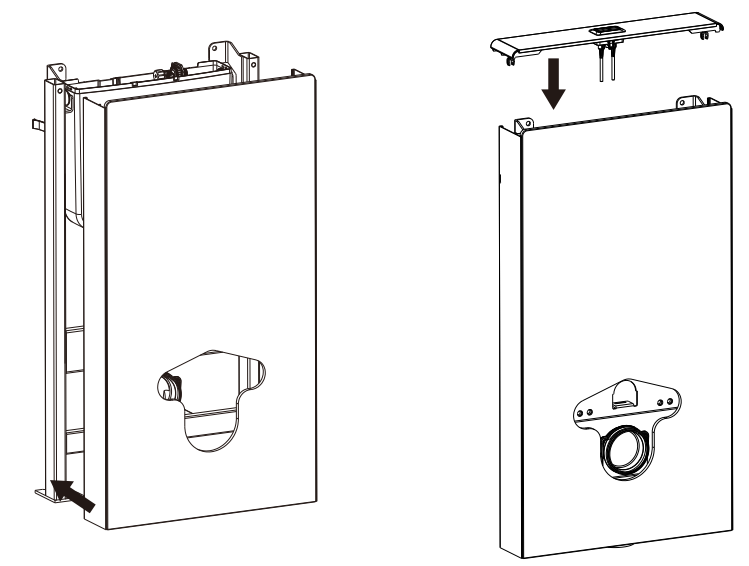


connect stop valve with water pipe, and then connect hose with stop valve

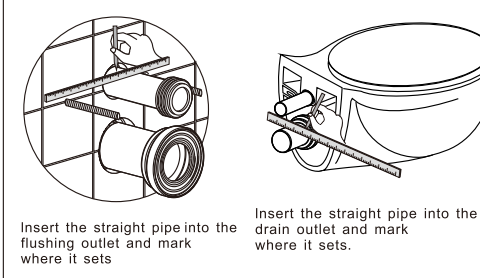


connect hose to water outlet

8. Method of installation

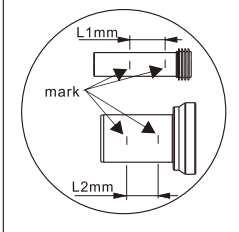


12. Adjust straight pipe

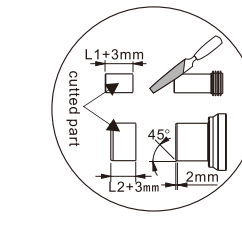


Insert the straight pipe into the flushing outlet and mark where it sets

Insert the straight pipe into the drain outlet and mark where it sets

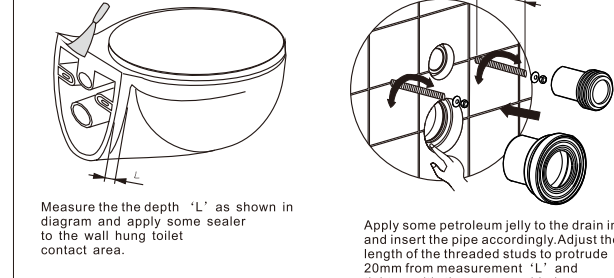


Measure the distance between the two marks.



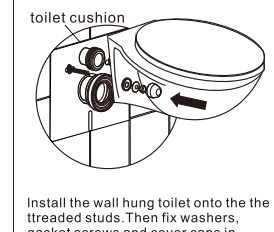
Measure the length between the marks and add another 3mm. Cut the pipe and file any rough edges

13. Install toilet

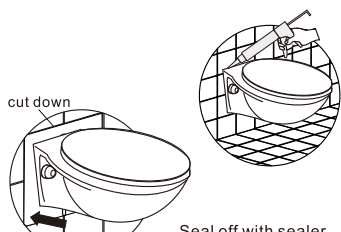


Measure the depth 'L' as shown in diagram and apply some sealer to the wall hung toilet contact area.

Apply some petroleum jelly to the drain inlet and insert the pipe accordingly. Adjust the length of the threaded studs to protrude 20mm from measurement 'L' and tighten with the nuts provided.

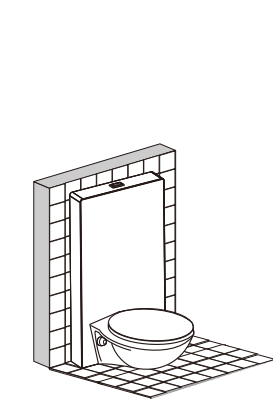


cut down



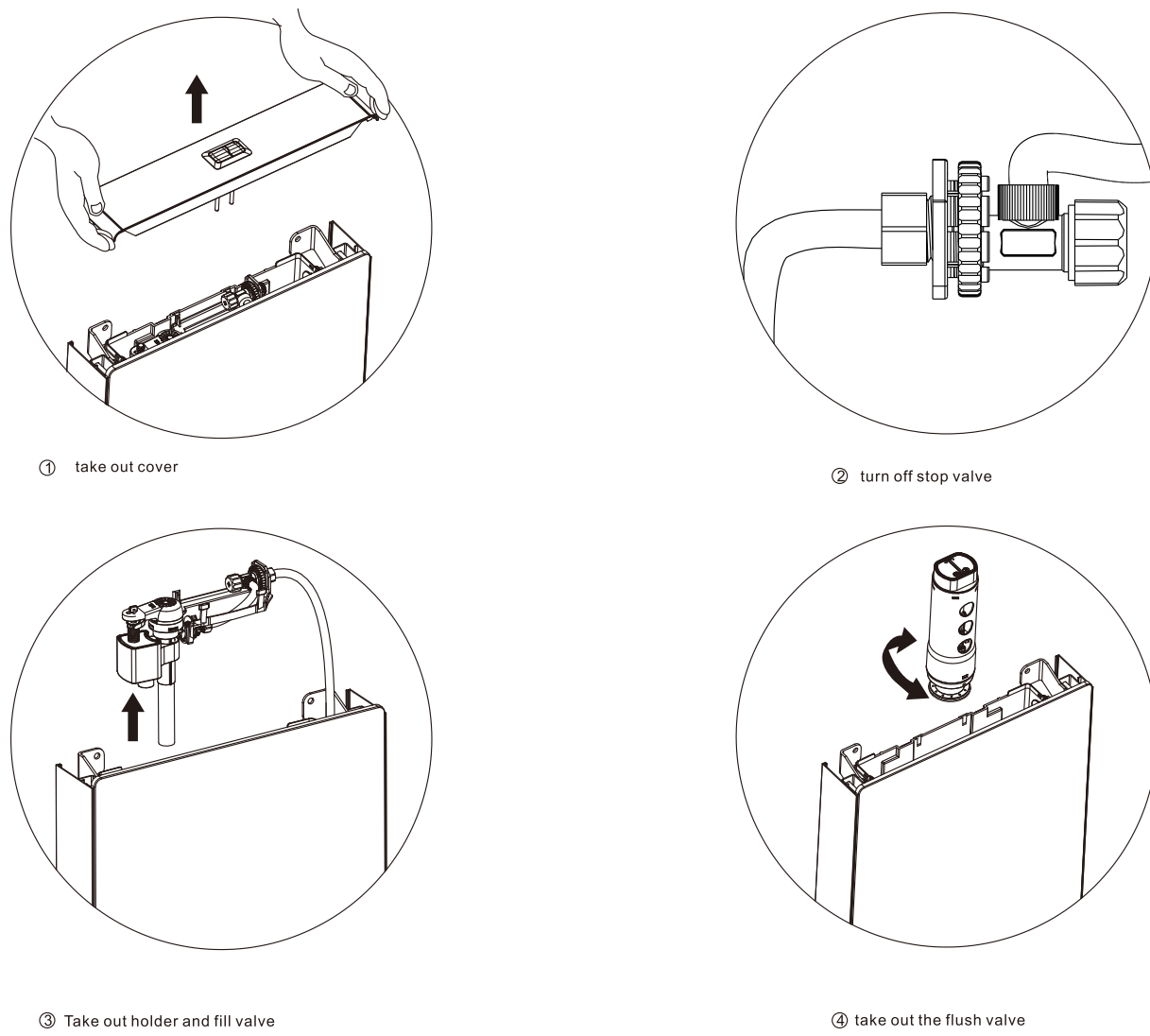
Seal off with sealer

11. Finalise

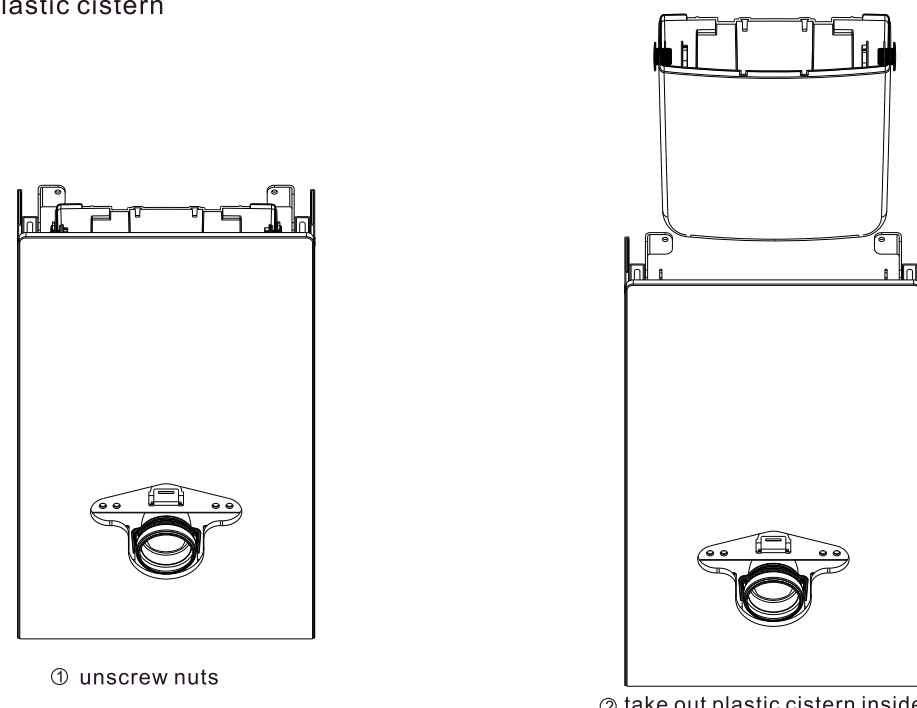


Maintenance for glass concealed cistern (wall hung toilet)

1. Replace inlet valve and flush valve



2. maintenance for plastic cistern

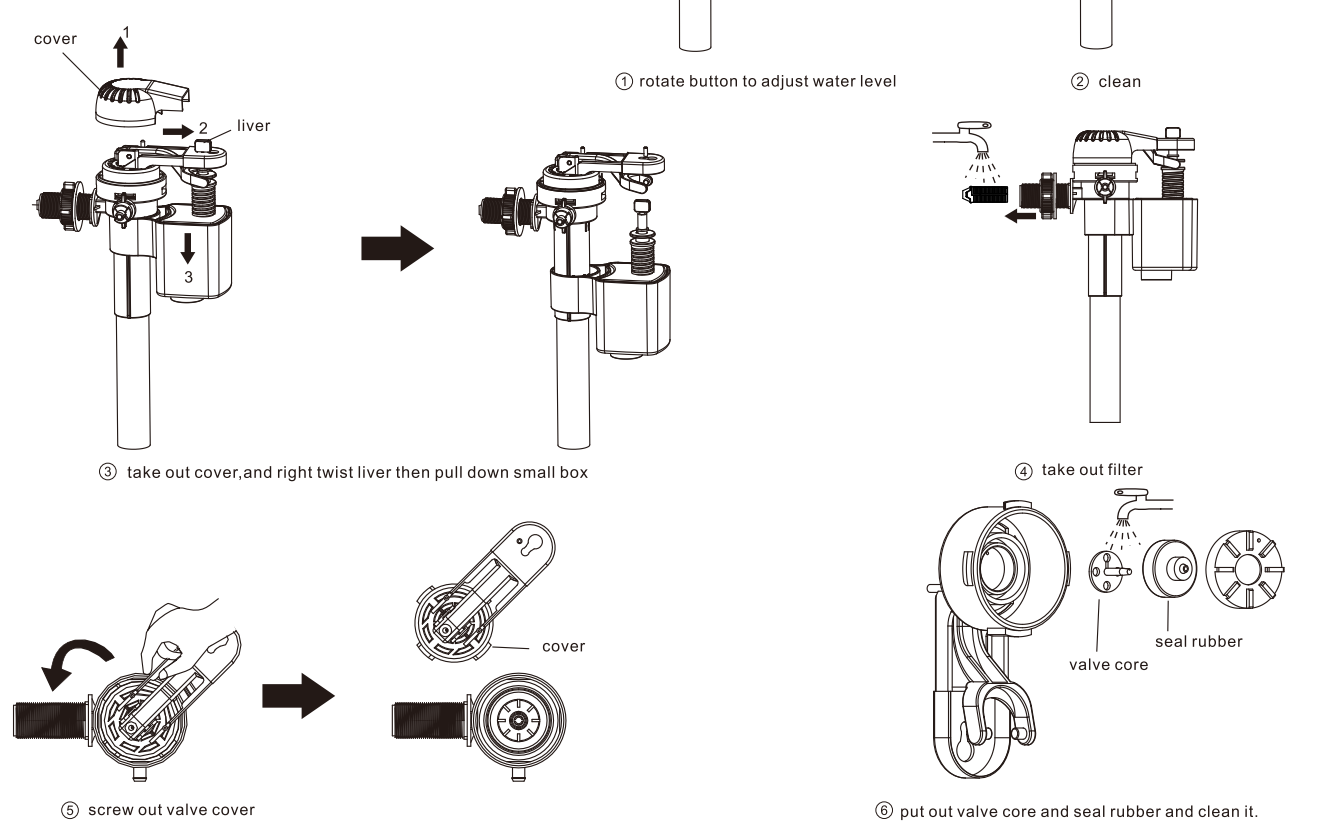


FAQ's on Flush Valve

1. Maintenance of fill valve

FAQ' s on Filler Valve

Problem	Solution
1. The water level too high or too low	Adjust water level(see figure1)
2. Cistern overflow	Clean the rubber seal(see figure2)
3. Water intake blockage	Remove cover, as in figure 3, and clean the parts as shown in figure 4,5 and 6
4. Others questions	Pls consult with professional technician



2. FAQ's on Flush Valve

Problem	Reason	Solution
Cannot flush water	Lost alignment, broken, or detached from push button	Uninstall and re-align flush valve. If broken, replace. Make sure that push button levers are attached to the flush valve
	Not enough water being flushed out	Adjust as in figure 1
A leak in the flushing	Seals not sealing well	Clean or replace the rubber seal

